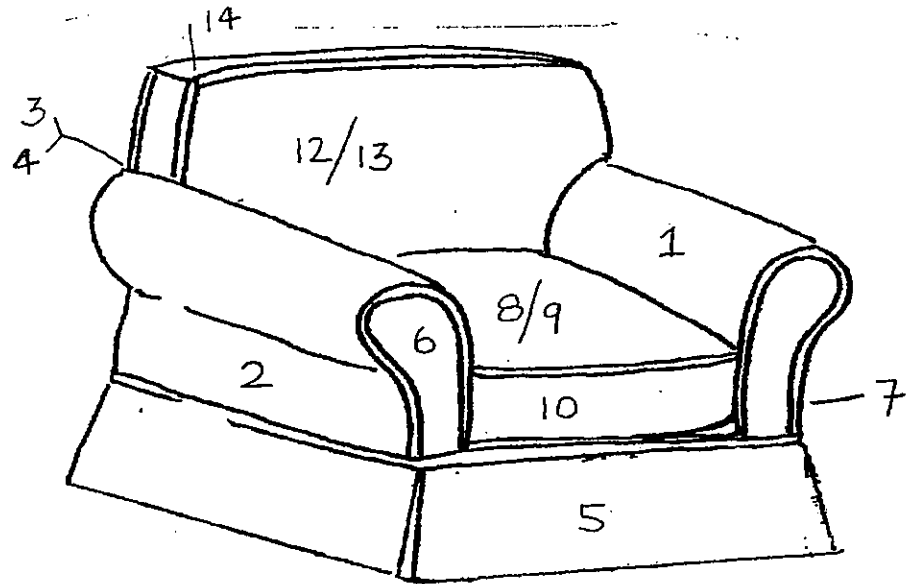


CUSTOMER \_\_\_\_\_  
P.O. # \_\_\_\_\_  
DATE \_\_\_\_\_

CONTACT \_\_\_\_\_  
STYLE \_\_\_\_\_  
SIDEMARK \_\_\_\_\_



**BODY**

- 1. Inside Arm
- 2. Outside Arm
- 3. Inside Back
- 4. Outside Back
- 5. Skirt
- 6. Arm Panel
- 7. Welt

\_\_\_\_\_  
\_\_\_\_\_  
\_\_\_\_\_  
\_\_\_\_\_  
\_\_\_\_\_  
\_\_\_\_\_  
\_\_\_\_\_

**SEAT CUSHIONS**

- 8. Top of Cushion
- 9. Bottom of Cushion
- 10. Boxing
- 11. Welt

\_\_\_\_\_  
\_\_\_\_\_  
\_\_\_\_\_  
\_\_\_\_\_

**BACK CUSHIONS**

- 12. Front of Cushion
- 13. Back of Cushion
- 14. Boxing
- 15. Welt

\_\_\_\_\_  
\_\_\_\_\_  
\_\_\_\_\_  
\_\_\_\_\_

**SPECIAL INSTRUCTIONS**

\_\_\_\_\_  
\_\_\_\_\_  
\_\_\_\_\_  
\_\_\_\_\_